



Trimble AV59 Antenna

HIGH PRECISION ANTENNA FOR AERIAL, LAND AND MARINE APPLICATIONS

Trimble AV59 GNSS Antenna is designed to support centimeter-level accuracy for aerial, land and marine applications. The rugged 8-hole bulkhead mounting allows the antenna to be used in challenging environments.

COMPREHENSIVE GNSS SUPPORT

The Trimble AV59 antenna offers full support for current and near-future GNSS signals including GPS, GLONASS, Galileo, BeiDou, QZSS, IRNSS, OmniSTAR, Trimble RTX and SBAS.

ROBUST, LOW-MULTIPATH GPS ANTENNA

The AV59 antenna offers robust signal tracking. Coupled with advanced signal filtering to minimize multipath, the AV59 antenna is capable of delivering centimeter level solution.

Key Features

- ▶ Comprehensive GNSS support including GPS modernization signals, GLONASS, BeiDou, Galileo, QZSS and IRNSS
- ▶ SBAS and L-Band support
- ▶ 8-hole bulkhead mounting
- ▶ Centimeter phase center repeatability



Trimble AV59 GNSS Antenna

TECHNICAL SPECIFICATIONS

Comprehensive GNSS Tracking:

- GPS: L1, L2, L5
- GLONASS: L1, L2, L3
- Galileo: E1, E5a, E5b
- BeiDou: B1, B2
- QZSS: L1, L2, L5
- IRNSS: L5
- SBAS: WAAS, EGNOS, GAGAN, and MSAS
- MSS: OmniSTAR, Trimble RTX
- TNC female connector
- Small cross-sectional area to reduce wind loading
- 8 recessed bulkhead mounting holes

ENVIRONMENTAL QUALIFICATIONS

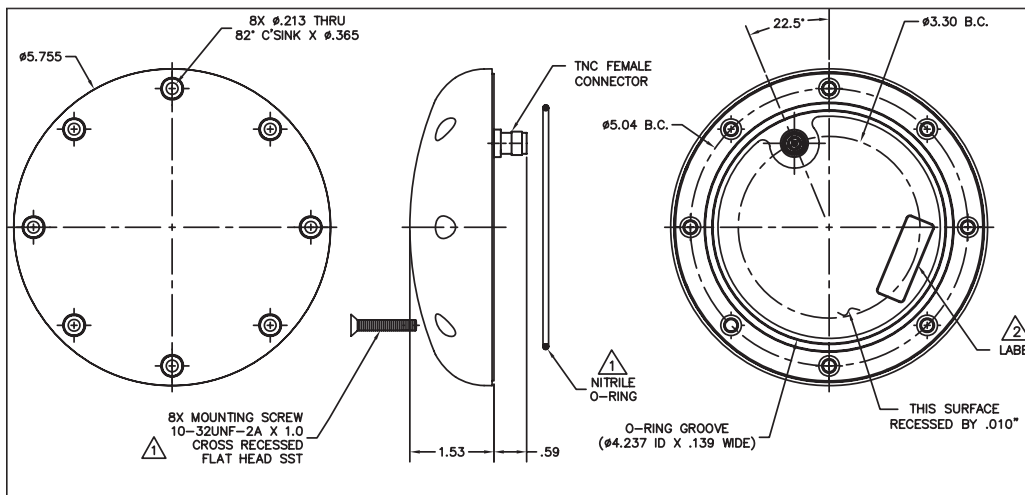
Conditions	DO-160D Section	String Category	Description
Temperature Variation	5	A	-55 °C to +85 °C (10/min, 2 cycles)
Humidity	-	Method 507.4	MIL-STD-810-F
Shock	-	Method 516.5	MIL-STD-818-F Procedure II
Vibration	-	516.5C.3	MIL-STD-810-F, Section 514.5 CVII

PHYSICAL AND ELECTRICAL SPECIFICATIONS

- Dimensions14.62 cm diameter x 3.89 cm height (5.755 in diameter x 1.53 in height)
- Weight 0.30 Kg (0.67 lb)
- Operating Temperature... -40 °C to +85 °C (-40 °F to +185 °F)
- Altitude ≤ 16,764 m (55,000 ft)
- Finish UV resistant white or green radome with aluminum base
- ComplianceROHS
- Signal gain39 dB
- Voltage 4.2 V DC to 15 V DC
- Polarization Right Hand Circular
- Axial Ratio 3 dB Max @ boresight
- Amplifier Noise Figure 2.6 dBMax
- Impedance50 Ohms
- VSWR : ≤ 2.0:1

PART NUMBERS

- C02992 (White) Trimble AV59 Antenna
- 98042 (Green) Trimble AV59 Antenna



Specifications subject to change without notice.

Contact your local dealer today

TRIMBLE
 Integrated Technologies
 510 DeGuigne Drive
 Sunnyvale, CA 94085
 Americas & Asia-Pacific
 Europe/EMEA

Email: sales-intech@trimble.com

© 2019, Trimble Navigation Limited. All rights reserved. Trimble logo are trademarks of Trimble, registered in the United States and in other countries. All other trademarks are the property of their respective owners. (08/19)